

032416
JMB



TRAFFIC CRASH REPORT

LOCAL REPORT NUMBER * 16 MPD 0435	CRASH SEVERITY 1 - FATAL 2 - INJURY 3 - PDO 3	HIT/SKIP 1 - SOLVED 2 - UNSOLVED 1
---	--	--

LOCAL INFORMATION E CLINTON ST		REPORTING AGENCY NCIC * 03801	REPORTING AGENCY NAME * Millersburg Police Department	NUMBER OF UNITS 2	UNIT IN ERROR 98 - ANIMAL 99 - UNKNOWN 1
--	--	---	---	-----------------------------	--

COUNTY * Holmes	CITY * <input type="checkbox"/> CITY * <input checked="" type="checkbox"/> VILLAGE * <input type="checkbox"/> TOWNSHIP *	CITY, VILLAGE, TOWNSHIP * Millersburg	CRASH DATE * 03/21/2016	TIME OF CRASH 1400	DAY OF WEEK Mon
---------------------------	---	---	-----------------------------------	------------------------------	---------------------------

DEGREES/MINUTES/SECONDS LATITUDE 40:33:18.10	LONGITUDE 81:54:57.00	DECIMAL DEGREES LATITUDE 40.55475	LONGITUDE -81.91583
---	---------------------------------	--	-------------------------------

ROADWAY DIVISION <input type="checkbox"/> DIVIDED <input checked="" type="checkbox"/> UNDIVIDED	DIVIDED LANE DIRECTION OF TRAVEL <input type="checkbox"/> N - NORTHBOUND <input type="checkbox"/> S - SOUTHBOUND <input type="checkbox"/> E - EASTBOUND <input type="checkbox"/> W - WESTBOUND	NUMBER OF THRU LANES 0	ROAD TYPES OR MILEPOST AL - ALLEY CR - CIRCLE HE - HEIGHTS MP - MILEPOST PL - PLACE ST - STREET WA - WAY AV - AVENUE CT - COURT HW - HIGHWAY PK - PARKWAY RD - ROAD TE - TERRACE BL - BOULEVARD DR - DRIVE LA - LANE PI - PINE SQ - SQUARE TL - TRAIL
---	--	----------------------------------	--

LOCATION ROUTE NUMBER <input type="checkbox"/> LOCATION ROUTE TYPE	LOC PREFIX E N,S,E,W	LOCATION ROAD NAME 75 Clinton	LOCATION ROAD TYPE ST	ROUTE TYPES IR - INTERSTATE ROUTE (INC. TURNPIKE) US - US ROUTE CR - NUMBERED COUNTY ROUTE SR - STATE ROUTE TR - NUMBERED TOWNSHIP ROUTE
---	--------------------------------	---	---------------------------------	---

DISTANCE FROM REFERENCE <input type="checkbox"/> MILES <input checked="" type="checkbox"/> FEET <input type="checkbox"/> YARDS AT	DIR FROM REF <input type="checkbox"/> N,S <input checked="" type="checkbox"/> E,W	REFERENCE ROUTE NUMBER <input type="checkbox"/> REF PREFIX <input type="checkbox"/> N,S <input checked="" type="checkbox"/> E,W	REFERENCE NAME (ROAD, MILEPOST, HOUSE #) 75	REFERENCE ROAD TYPE <input type="checkbox"/>
--	---	--	---	---

REFERENCE POINT USED 3 1 - INTERSECTION 2 - MILE POST 3 - HOUSE NUMBER	CRASH LOCATION 01 01 - NOT AN INTERSECTION 02 - FOUR-WAY INTERSECTION 03 - T-INTERSECTION 04 - Y-INTERSECTION 05 - TRAFFIC CIRCLE/ROUNDBOUNT 06 - FIVE-POINT, OR MORE 07 - ON RAMP 08 - OFF RAMP 09 - CROSSOVER 10 - DRIVEWAY/ALLEY ACCESS	LOCATION OF FIRST HARMFUL EVENT 6 1 - ON ROADWAY 2 - ON SHOULDER 3 - IN MEDIAN 4 - ON ROADSIDE 5 - ON GORE 6 - OUTSIDE TRAFFICWAY 9 - UNKNOWN
---	--	--

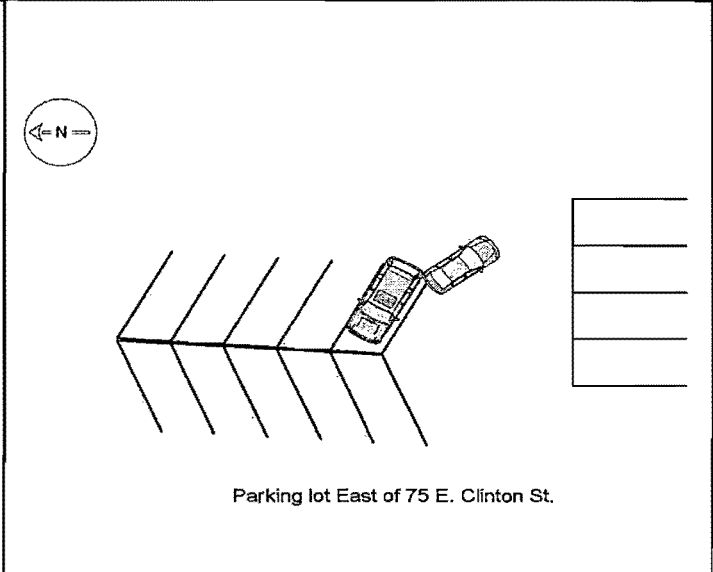
ROAD CONTOUR 1 1 - STRAIGHT LEVEL 2 - STRAIGHT GRADE 3 - CURVE LEVEL 4 - CURVE GRADE 9 - UNKNOWN	ROAD CONDITIONS PRIMARY 01 SECONDARY <input type="checkbox"/> 01 - DRY 02 - WET 03 - SNOW 04 - ICE 05 - SAND, MUD, DIRT, OIL, GRAVEL 06 - WATER (STANDING, MOVING) 07 - SLUSH 08 - DEBRIS 09 - RUT, HOLES, BUMPS, UNEVEN PAVEMENT 10 - OTHER 99 - UNKNOWN
---	---

MANNER OF CRASH COLLISION/IMPACT 5 1 - NOT COLLISION BETWEEN TWO MOTOR VEHICLES IN TRANSPORT 2 - REAR-END 3 - HEAD-ON 4 - REAR-TO-REAR 5 - BACKING 6 - ANGLE 7 - SIDESWIPE, SAME DIRECTION 8 - SIDESWIPE, OPPOSITE DIRECTION 9 - UNKNOWN	WEATHER 1 1 - CLEAR 2 - CLOUDY 3 - FOG, SMOG, SMOKE 4 - RAIN 5 - SLEET, HAIL 6 - SNOW 7 - SEVERE CROSSWINDS 8 - BLOWING SAND, SOIL, DIRT, SNOW 9 - OTHER/UNKNOWN
---	---

ROAD SURFACE 2 1 - CONCRETE 2 - BLACKTOP, BITUMINOUS, ASPHALT 3 - BRICK/BLOCK 4 - SLAG, GRAVEL, STONE 5 - DIRT 6 - OTHER	LIGHT CONDITIONS 1 PRIMARY SECONDARY <input type="checkbox"/> 1 - DAYLIGHT 2 - DAWN 3 - DUSK 4 - DARK - LIGHTED ROADWAY 5 - DARK - ROADWAY NOT LIGHTED 6 - DARK - UNKNOWN ROADWAY LIGHTING 7 - GLARE 8 - OTHER	SCHOOL BUS RELATED <input type="checkbox"/> SCHOOL ZONE RELATED <input type="checkbox"/> YES, SCHOOL BUS DIRECTLY INVOLVED <input type="checkbox"/> YES, SCHOOL BUS INDIRECTLY INVOLVED
--	--	--

WORK ZONE RELATED <input type="checkbox"/> WORKERS PRESENT <input type="checkbox"/> LAW ENFORCEMENT PRESENT (OFFICER/VEHICLE) <input type="checkbox"/> LAW ENFORCEMENT PRESENT (VEHICLE ONLY)	TYPE OF WORK ZONE <input type="checkbox"/> 1 - LANE CLOSURE <input type="checkbox"/> 2 - LANE SHIFT/CROSSOVER <input type="checkbox"/> 3 - WORK ON SHOULDER OR MEDIAN 4 - INTERMITTENT OR MOVING WORK 5 - OTHER	LOCATION OF CRASH IN WORK ZONE <input type="checkbox"/> 1 - BEFORE THE FIRST WORK ZONE WARNING SIGN <input type="checkbox"/> 2 - ADVANCE WARNING AREA <input type="checkbox"/> 3 - TRANSITION AREA 4 - ACTIVITY AREA 5 - TERMINATION AREA
--	--	--

NARRATIVE
Unit 2 was parked. Unit 1 backed out of its parking spot striking Unit 2. Driver of unit 1 was unaware he hit unit 2.



REPORT TAKEN BY <input checked="" type="checkbox"/> POLICE AGENCY <input type="checkbox"/> MOTORIST	<input type="checkbox"/> SUPPLEMENT (CORRECTION OR ADDITION TO AN EXISTING REPORT SENT TO ODPS)					
DATE CRASH REPORTED 03/21/2016	TIME CRASH REPORTED 1408	DISPATCH TIME 1411	ARRIVAL TIME 1424	TIME CLEARED 1424	OTHER INVESTIGATION TIME 35	TOTAL MINUTES 48
OFFICER'S NAME Pti Michelle R. Brown	OFFICER'S BADGE NUMBER 102	CHECKED BY				



UNIT

LOCAL REPORT NUMBER

16 MPD 0435

UNIT NUMBER 1	OWNER NAME: LAST, FIRST, MIDDLE (<input type="checkbox"/> SAME AS DRIVER) Crowthers, Aimee, M	OWNER PHONE NUMBER 330-231-8130	DAMAGE SCALE 2	DAMAGE AREA FRONT
OWNER ADDRESS: CITY, STATE, ZIP (<input type="checkbox"/> SAME AS DRIVER) 592 Harrington St, Glenmont, OH, 44628				
LP STATE OH	LICENSE PLATE NUMBER GSU6773	VEHICLE IDENTIFICATION NUMBER ZHGES15562H602072	# OCCUPANTS 1	
VEHICLE YEAR 2002	VEHICLE MAKE Honda	VEHICLE MODEL Civic 1.3 - 1.3	VEHICLE COLOR SIL	
PROOF OF INSURANCE SHOWN <input checked="" type="checkbox"/>	INSURANCE COMPANY Allstate	POLICY NUMBER 980919345	TOWED BY	
CARRIER NAME, ADDRESS, CITY, STATE, ZIP				CARRIER PHONE

US DOT	VEHICLE WEIGHT GVWR/GCWR <input type="checkbox"/> 1 - LESS THAN OR EQUAL TO 10K LBS <input type="checkbox"/> 2 - 10,001 TO 26,000K LBS <input type="checkbox"/> 3 - MORE THAN 26,000K LBS	CARGO BODY TYPE 01	TRAFFICWAY DESCRIPTION 1
HM PLACARD ID NO.	HAZARDOUS MATERIAL RELATED <input type="checkbox"/>	01 - NO CARGO BODY TYPE/NOT APPLICABLE 02 - BUS/VAN (9-15 SEATS, INC DRIVER) 03 - BUS (16+ SEATS, INC DRIVER) 04 - VEHICLE TOWING ANOTHER VEHICLE 05 - LOGGING 06 - INTERMODAL CONTAINER CHASIS 07 - CARGO VAN/ENCLOSED BOX 08 - GRAIN, CHIPS, GRAVEL	1 - TWO-WAY, NOT DIVIDED 2 - TWO-WAY, NOT DIVIDED, CONTINUOUS LEFT TURN LANE 3 - TWO-WAY, DIVIDED, UNPROTECTED (PAINTED OR GRASS 24FT.) MEDIA 4 - TWO-WAY, DIVIDED, POSITIVE MEDIAN BARRIER 5 - ONE-WAY TRAFFICWAY <input type="checkbox"/> HIT / SKIP UNIT
HM CLASS NUMBER		09 - POLE 10 - CARGO TANK 11 - FLAT BED 12 - DUMP 13 - CONCRETE MIXER 14 - AUTO TRANSPORTER 15 - GARBAGE / REFUSE 99 - OTHER/UNKNOWN	

NON-MOTORIST LOCATION PRIOR TO IMPACT <input type="checkbox"/>	TYPE OF USE 1	UNIT TYPE 02	TRAFFICWAY DESCRIPTION 1
01 - INTERSECTION - MARKED CROSSWALK 02 - INTERSECTION - NO CROSSWALK 03 - INTERSECTION - OTHER 04 - MIDBLOCK - MARKED CROSSWALK 05 - TRAVEL LANE - OTHER LOCATION 06 - BICYCLE LANE 07 - SHOULDER/ROADSIDE 08 - SIDEWALK 09 - MEDIUM CROSSING ISLAND 10 - DRIVE WAY ACCESS 11 - SHARED-USE PATH OR TRAIL 12 - NON TRAFFICWAY AREA 99 - OTHER/UNKNOWN	1 - PERSONAL 2 - COMMERCIAL 3 - GOVERNMENT <input type="checkbox"/> IN EMERGENCY RESPONSE	01 - SUB-COMPACT 02 - COMPACT 03 - MID SIZE 04 - FULL SIZE 05 - MINIVAN 06 - SPORT UTILITY VEHICLE 07 - PICKUP 08 - VAN 09 - MOTORCYCLE 10 - MOTORIZED BICYCLE 11 - SNOWMOBILE/ATV 12 - OTHER PASSENGER VEHICLE	13 - SINGLE UNIT TRUCK OR VAN 2AXLE, 6 TIRES 14 - SINGLE UNIT TRUCK; 3+ AXLES 15 - SINGLE UNIT TRUCK / TRAILER 16 - TRUCK/TRACTOR (BOBTAIL) 17 - TRACTOR/SEMI-TRAILER 18 - TRACTOR/DOUBLE 19 - TRACTOR/TRIPLES 20 - OTHER MED/HEAVY VEHICLE
			<input type="checkbox"/> HAS HM PLACARD

SPECIAL FUNCTION 01	09 - AMBULANCE 10 - FIRE 11 - HIGHWAY/MAINTENANCE 12 - MILITARY 13 - POLICE 14 - PUBLIC UTILITY 15 - OTHER GOVERNMENT 16 - CONSTRUCTION EQUIP.	17 - FARM VEHICLE 18 - FARM EQUIPMENT 19 - MOTORHOME 20 - GOLF CART 21 - TRAIN 22 - OTHER (EXPLAIN IN NARRATIVE)	MOST DAMAGED AREA 07	08 - LEFT SIDE 09 - LEFT FRONT 10 - TOP AND WINDOWS 11 - UNDERCARRIAGE 12 - LOAD/TRAILER 13 - TOTAL (ALL AREAS) 14 - OTHER	ACTION 3
01 - NONE 02 - TAXI 03 - RENTAL TRUCK (OVER 10K LBS) 04 - BUS - SCHOOL (PUBLIC OR PRIVATE) 05 - BUS - TRANSIT 06 - BUS - CHARTER 07 - BUS - SHUTTLE 08 - BUS - OTHER			01 - NONE 02 - CENTER FRONT 03 - RIGHT FRONT 04 - LEFT FRONT 05 - RIGHT REAR 06 - REAR CENTER 07 - LEFT REAR	99 - UNKNOWN	1 - NON-CONTACT 2 - NON-COLLISION 3 - STRIKING 4 - STRUCK 5 - STRIKING/STRUCK 9 - UNKNOWN

PRE-CRASH ACTIONS 02	MOTORIST 01 - STRAIGHT AHEAD 02 - BACKING 03 - CHANGING LANES 04 - OVERTAKING/PASSING 05 - MAKING RIGHT TURN 06 - MAKING LEFT TURN 99 - UNKNOWN	07 - MAKING U-TURN 08 - ENTERING TRAFFIC LANE 09 - LEAVING TRAFFIC LANE 10 - PARKED 11 - SLOWING OR STOPPED IN TRAFFIC 12 - DRIVERLESS	NON-MOTORIST 13 - NEGOTIATING A CURVE 14 - OTHER MOTORIST ACTION 15 - ENTERING OR CROSSING SPECIFIED LOCATION 16 - WALKING/RUNNING, JOGGING, PLAYING, CYCLING 17 - WORKING 18 - PUSHING VEHICLE 19 - APPROACHING OR LEAVING VEHICLE 20 - STANDING 21 - OTHER NON-MOTORIST ACTION
-------------------------	--	---	---

CONTRIBUTING CIRCUMSTANCE PRIMARY 11	MOTORIST 01 - NONE 02 - FAILURE TO YIELD 03 - RAN RED LIGHT 04 - RAN STOP SIGN 05 - EXCEEDED SPEED LIMIT 06 - UNSAFE SPEED 07 - IMPROPER TURN 08 - LEFT OF CENTER 09 - FOLLOWED TOO CLOSELY/ACDA 10 - IMPROPER LANE CHANGE /PASSING/OFF ROAD	NON-MOTORIST 11 - IMPROPER BACKING 12 - IMPROPER START FROM PARKED POSITION 13 - STOPPED OR PARKED ILLEGALLY 14 - OPERATING VEHICLE IN NEGLIGENT MANNER 15 - SWERING TO AVOID (DUE TO EXTERNAL CONDITIONS) 16 - WRONG SIDE/WRONG WAY 17 - FAILURE TO CONTROL 18 - VISION OBSTRUCTION 19 - OPERATING DEFECTIVE EQUIPMENT 20 - LOAD SHIFTING/FALLING/SPILLING 21 - OTHER IMPROPER ACTION	VEHICLE DEFECTS <input type="checkbox"/>
SECONDARY <input type="checkbox"/>			01 - TURN SIGNALS 02 - HEAD LAMPS 03 - TAIL LAMPS 04 - BRAKES 05 - STEERING 06 - TIRE BLOWOUT 07 - WORN OR SLICK TIRES 08 - TRAILER EQUIPMENT DEFECTIVE 09 - MOTOR TROUBLE 10 - DISABLED FROM PRIOR ACCIDENT 11 - OTHER DEFECTS

SEQUENCE OF EVENTS 1 [21] 2 [] 3 [] 4 [] 5 [] 6 []	NON-COLLISION EVENTS 01 - OVERTURN/ROLLOVER 02 - FIRE/EXPLOSION 03 - IMMERSION 04 - JACKKNIFE 05 - CARGO/EQUIPMENT LOSS OR SHIFT	06 - EQUIPMENT FAILURE (BLOWN TIRE, BRAKE FAILURE, ETC) 07 - SEPARATION OF UNITS 08 - RAN OFF ROAD RIGHT 09 - RAN OFF ROAD LEFT	10 - CROSS MEDIAN 11 - CROSS CENTER LINE OPPOSITE DIRECTION OF TRAVEL 12 - DOWNHILL RUNAWAY 13 - OTHER NON-COLLISION
FIRST HARMFUL EVENT [1] MOST HARMFUL EVENT [1]			
COLLISION WITH PERSON, VEHICLE OR OBJECT NOT FIXED			
14 - PEDESTRIAN 15 - PEDALCYCLE 16 - RAILWAY VEHICLE (TRAIN, ENGINE) 17 - ANIMAL - FARM 18 - ANIMAL - DEER 19 - ANIMAL - OTHER 20 - MOTOR VEHICLE IN TRANSPORT	21 - PARKED MOTOR VEHICLE 22 - WORK ZONE MAINTENANCE EQUIPMENT 23 - STRUCK BY FALLING, SHIFTING CARGO OR ANYTHING SET IN MOTION BY A MOTOR VEHICLE 24 - OTHER MOVABLE OBJECT	25 - IMPACT ATTENUATOR/CRASH CUSHION 26 - BRIDGE OVERHEAD STRUCTURE 27 - BRIDGE PIER OR ABUTMENT 28 - BRIDGE PARAPET 29 - BRIDGE RAIL 30 - GUARDRAIL FACE 31 - GUARDRAIL END 32 - PORTABLE BARRIER	33 - MEDIAN CABLE BARRIER 34 - MEDIAN GUARDRAIL BARRIER 35 - MEDIAN CONCRETE BARRIER 36 - MEDIAN OTHER BARRIER 37 - TRAFFIC SIGN POST 38 - OVERHEAD SIGN POST 39 - LIGHT/LUMINARIES SUPPORT 40 - UTILITY POLE
			41 - OTHER POST, POLE OR SUPPORT 42 - CULVERT 43 - CURB 44 - DITCH 45 - EMBANKMENT 46 - FENCE 47 - MAILBOX 48 - TREE 49 - FIRE HYDRANT 50 - WORK ZONE MAINTENANCE EQUIPMENT 51 - WALL, BUILDING, TUNNEL 52 - OTHER FIXED OBJECT

UNIT SPEED 0	POSTED SPEED 15	TRAFFIC CONTROL 12	UNIT DIRECTION FROM [2] TO [4]
<input type="checkbox"/> STATED <input checked="" type="checkbox"/> ESTIMATED		01 - NO CONTROLS 02 - STOP SIGN 03 - YIELD SIGN 04 - TRAFFIC SIGNAL 05 - TRAFFIC FLASHERS 06 - SCHOOL ZONE	07 - RAILROAD CROSSBUCKS 08 - RAILROAD FLASHERS 09 - RAILROAD GATES 10 - CONSTRUCTION BARRICADE 11 - PERSON (FLAGGER, OFFICER) 12 - PAVEMENT MARKINGS
		13 - CROSSWALK LINES 14 - WALK/DON'T WALK 15 - OTHER 16 - NOT REPORTED	1 - NORTH 2 - SOUTH 3 - EAST 4 - WEST 5 - NORTHEAST 6 - NORTHWEST 7 - SOUTHEAST 8 - SOUTHWEST 9 - UNKNOWN



UNIT

LOCAL REPORT NUMBER

16 MPD 0435

UNIT NUMBER 2	OWNER NAME: LAST, FIRST, MIDDLE (<input type="checkbox"/> SAME AS DRIVER) Shaffer, Robert, L	OWNER PHONE NUMBER 330-674-6540	DAMAGE SCALE 2	DAMAGE AREA FRONT REAR	
OWNER ADDRESS: CITY, STATE, ZIP (<input type="checkbox"/> SAME AS DRIVER) 576 E Jackson St, Millersburg, OH, 44654					
LP STATE OH	LICENSE PLATE NUMBER EEF3646	VEHICLE IDENTIFICATION NUMBER 1FMCU9J95FUC75895	# OCCUPANTS 0		
VEHICLE YEAR 2015	VEHICLE MAKE Ford	VEHICLE MODEL Escape	VEHICLE COLOR BLK		
PROOF OF INSURANCE SHOWN <input checked="" type="checkbox"/>	INSURANCE COMPANY Erie	POLICY NUMBER Q105604806	TOWED BY		
CARRIER NAME, ADDRESS, CITY, STATE, ZIP				CARRIER PHONE	
US DOT	VEHICLE WEIGHT GWWF/GCWR <input type="checkbox"/> 1 - LESS THAN OR EQUAL TO 10K LBS <input type="checkbox"/> 2 - 10,001 TO 26,000K LBS <input type="checkbox"/> 3 - MORE THAN 26,000K LBS	CARGO BODY TYPE 01 01 - NO CARGO BODY TYPE/NOT APPLICABLE 02 - BUS/VAN (9-15 SEATS, INC DRIVER) 03 - BUS (16+ SEATS, INC DRIVER) 04 - VEHICLE TOWING ANOTHER VEHICLE 05 - LOGGING 06 - INTERMODAL CONTAINER CHASSIS 07 - CARGO VAN/ENCLOSED BOX 08 - GRAIN, CHIPS, GRAVEL	TRAFFICWAY DESCRIPTION 1 1 - T WO-WAY, NOT DIVIDED 2 - T WO-WAY, NOT DIVIDED, CONTINUOUS LEFT TURN LANE 3 - T WO-WAY, DIVIDED, UNPROTECTED (PAINTED OR GRASS 4FT.) MEDIA 4 - T WO-WAY, DIVIDED, POSITIVE MEDIAN BARRIER 5 - ONE-WAY TRAFFICWAY <input checked="" type="checkbox"/> HIT / SKIP UNIT		
HM PLACARD ID NO.	HAZARDOUS MATERIAL <input type="checkbox"/> RELATED	09 - POLE 10 - CARGO TANK 11 - FLAT BED 12 - DUMP 13 - CONCRETE MIXER 14 - AUTO TRANSPORTER 15 - GARBAGE /REFUSE 99 - OTHER/UNKNOWN			
HM CLASS NUMBER		UNIT TYPE 06 PASSENGER VEHICLES (LESS THAN 9 PASSENGERS) 01 - SUB-COMPACT 02 - COMPACT 03 - MID SIZE 04 - FULL SIZE 05 - MINIVAN 06 - SPORT UTILITY VEHICLE 07 - PICKUP 08 - VAN 09 - MOTORCYCLE 10 - MOTORIZED BICYCLE 11 - SNOWMOBILE/ATV 12 - OTHER PASSENGER VEHICLE			
NON-MOTORIST LOCATION PRIOR TO IMPACT <input type="checkbox"/>	TYPE OF USE 1 1 - PERSONAL 2 - COMMERCIAL 3 - GOVERNMENT <input type="checkbox"/> IN EMERGENCY RESPONSE	09 - POLE 10 - CARGO TANK 11 - FLAT BED 12 - DUMP 13 - CONCRETE MIXER 14 - AUTO TRANSPORTER 15 - GARBAGE /REFUSE 99 - OTHER/UNKNOWN			
SPECIAL FUNCTION 01 01 - NONE 02 - TAXI 03 - RENTAL TRUCK (OVER 10K LBS) 04 - BUS - SCHOOL (PUBLIC OR PRIVATE) 05 - BUS - TRANSIT 06 - BUS - CHARTER 07 - BUS - SHUTTLE 08 - BUS - OTHER	09 - AMBULANCE 10 - FIRE 11 - HIGHWAY/MAINTENANCE 12 - MILITARY 13 - POLICE 14 - PUBLIC UTILITY 15 - OTHER GOVERNMENT 16 - CONSTRUCTION EQUIP.	17 - FARM VEHICLE 18 - FARM EQUIPMENT 19 - MOTORHOME 20 - GOLF CART 21 - TRAIN 22 - OTHER (EXPLAIN IN NARRATIVE)	MOST DAMAGED AREA 07 01 - NONE 02 - CENTER FRONT 03 - RIGHT FRONT 04 - RIGHT SIDE 05 - RIGHT REAR 06 - REAR CENTER 07 - LEFT REAR	ACTION 4 1 - NON-CONTACT 2 - NON-COLLISION 3 - STRIKING 4 - STRUCK 5 - STRIKING/STRUCK 9 - UNKNOWN	
PRE-CRASH ACTIONS 10 99 - UNKNOWN	MOTORIST 01 - STRAIGHT AHEAD 02 - BACKING 03 - CHANGING LANES 04 - OVERTAKING/PASSING 05 - MAKING RIGHT TURN 06 - MAKING LEFT TURN	07 - MAKING U-TURN 08 - ENTERING TRAFFIC LANE 09 - LEAVING TRAFFIC LANE 10 - PARKED 11 - SLOWING OR STOPPED IN TRAFFIC 12 - DRIVERLESS	NON-MOTORIST 13 - NEGOTIATING A CURVE 14 - OTHER MOTORIST ACTION 15 - ENTERING OR CROSSING SPECIFIED LOCATIO 16 - WALKING/RUNNING, JOGGING, PLAYING, CYCLING 17 - WORKING 18 - PUSHING VEHICLE 19 - APPROACHING OR LEAVING VEHICLE 20 - STANDING	21 - OTHER NON-MOTORIST ACTION	
CONTRIBUTING CIRCUMSTANCE PRIMARY 01	MOTORIST 01 - NONE 02 - FAILURE TO YIELD 03 - RAN RED LIGHT 04 - RAN STOP SIGN 05 - EXCEEDED SPEED LIMIT 06 - UNSAFE SPEED 07 - IMPROPER TURN 08 - LEFT OF CENTER 09 - FOLLOWED TOO CLOSELY/ACDA 10 - IMPROPER LANE CHANGE /PASSING/OFF ROAD	11 - IMPROPER BACKING 12 - IMPROPER START FROM PARKED POSITION 13 - STOPPED OR PARKED ILLEGALLY 14 - OPERATING VEHICLE IN NEGUGENT MANNER 15 - SWERING TO AVOID (DUE TO EXTERNAL CONDITIONS) 16 - WRONG SIDE/WRONG WAY 17 - FAILURE TO CONTROL 18 - VISION OBSTRUCTION 19 - OPERATING DEFECTIVE EQUIPMENT 20 - LOAD SHIFTING/FALLING/SPILLING 21 - OTHER IMPROPER ACTION	NON-MOTORIST 22 - NONE 23 - IMPROPER CROSSING 24 - DARTING 25 - LYING AND/OR ILLEGALLY IN ROADWAY 26 - FAILURE TO YIELD RIGHT OF WAY 27 - NOT VISIBLE (DARK CLOTHING) 28 - INATTENTIVE 29 - FAILURE TO OBEY TRAFFIC SIGNS /SIGNALS/OFFICER 30 - WRONG SIDE OF THE ROAD 31 - OTHER NON-MOTORIST ACTION	VEHICLE DEFECTS <input type="checkbox"/> 01 - TURN SIGNALS 02 - HEAD LAMPS 03 - TAIL LAMPS 04 - BRAKES 05 - STEERING 06 - TIRE BLOWOUT 07 - WORN OR SLICK TIRES 08 - TRAILER EQUIPMENT DEFECTIVE 09 - MOTOR TROUBLE 10 - DISABLED FROM PRIOR ACCIDENT 11 - OTHER DEFECTS	
SEQUENCE OF EVENTS 1 20 2 <input type="checkbox"/> 3 <input type="checkbox"/> 4 <input type="checkbox"/> 5 <input type="checkbox"/> 6 <input type="checkbox"/> FIRST HARMFUL EVENT 1 MISC HARMFUL EVENT 1 99 - UNKNOWN	Non-COLLISION EVENTS 01 - OVERTURN/ROLLOVER 02 - FIRE/EXPLOSION 03 - IMMERSION 04 - JACKKNIFE 05 - CARGO/EQUIPMENT LOSS OR SHIFT	06 - EQUIPMENT FAILURE (BLOWN TIRE, BRAKE FAILURE, ETC) 07 - SEPARATION OF UNITS 08 - RAN OFF ROAD RIGHT 09 - RAN OFF ROAD LEFT	10 - CROSS MEDIAN 11 - CROSS CENTER LINE OPPOSITE DIRECTION OF TRAVEL 12 - DOWNHILL RUNAWAY 13 - OTHER NON-COLLISION		
COLLISION WITH PERSON, VEHICLE OR OBJECT NOT FIXED 14 - PEDESTRIAN 15 - PEDALCYCLE 16 - RAILWAY VEHICLE (TRAIN, ENGINE) 17 - ANIMAL - FARM 18 - ANIMAL - DEER 19 - ANIMAL - OTHER 20 - MOTOR VEHICLE IN TRANSPORT		21 - PARKED MOTOR VEHICLE 22 - WORK ZONE MAINTENANCE EQUIPMENT 23 - STRUCK BY FALLING, SHIFTING CARGO OR ANYTHING SET IN MOTION BY A MOTOR VEHICLE 24 - OTHER MOVABLE OBJECT	25 - IMPACT ATTENUATOR/CRASH CUSHION 26 - BRIDGE OVERHEAD STRUCTURE 27 - BRIDGE PIER OR ABUTMENT 28 - BRIDGE PARAPET 29 - BRIDGE RAIL 30 - GUARDRAIL FACE 31 - GUARDRAIL END 32 - PORTABLE BARRIER	33 - MEDIAN CABLE BARRIER 34 - MEDIAN GUARDRAIL BARRIER 35 - MEDIAN CONCRETE BARRIER 36 - MEDIAN OTHER BARRIER 37 - TRAFFIC SIGN POST 38 - OVERHEAD SIGN POST 39 - LIGHTS/LUMINARIES SUPPORT 40 - UTILITY POLE	41 - OTHER POST, POLE OR SUPPORT 42 - CULVERT 43 - CURB 44 - DITCH 45 - EMBANKMENT 46 - FENCE 47 - MAILBOX 48 - TREE 49 - FIRE HYDRANT 50 - WORK ZONE MAINTENANCE EQUIPMENT 51 - WALL, BUILDING, TUNNEL 52 - OTHER FIXED OBJECT
UNIT SPEED 5 <input type="checkbox"/> STATED <input checked="" type="checkbox"/> ESTIMATED	POSTED SPEED 15	TRAFFIC CONTROL 12 01 - NO CONTROLS 02 - STOP SIGN 03 - YIELD SIGN 04 - TRAFFIC SIGNAL 05 - TRAFFIC FLASHERS 06 - SCHOOL ZONE	07 - RAILROAD CROSSBUCKS 08 - RAILROAD FLASHERS 09 - RAILROAD GATES 10 - CONSTRUCTION BARRICADE 11 - PERSON (FLAGGER, OFFICER) 12 - PAVEMENT MARKINGS	13 - CROSSWALK LINES 14 - WALK/DON'T WALK 15 - OTHER 16 - NOT REPORTED	UNIT DIRECTION FROM 4 TO 3 1 - NORTH 2 - SOUTH 3 - EAST 4 - WEST 5 - NORTHEAST 6 - NORTHWEST 7 - SOUTHEAST 8 - SOUTHWEST 9 - UNKNOWN



MOTORIST / NON-MOTORIST / OCCUPANT

LOCAL REPORT NUMBER
16 MPD 0435

MOTORIST/Non-Motorist

MOTORIST/Non-Motorist

OCCUPANT

OCCUPANT

UNIT NUMBER 1	NAME: LAST, FIRST, MIDDLE Crowthers, Kolton, M	DATE OF BIRTH 05/29/1999	AGE 16	GENDER <input checked="" type="checkbox"/> M F - FEMALE M - MALE
------------------	---	-----------------------------	-----------	--

ADDRESS, CITY, STATE, ZIP 592 Harrington St., Glenmont, OH, 44628	CONTACT PHONE - INCLUDE AREA CODE 330-231-8130
--	---

INJURIES <input checked="" type="checkbox"/>	INJURED TAKEN BY <input checked="" type="checkbox"/>	EMS AGENCY	MEDICAL FACILITY INJURED TAKEN TO	SAFETY EQUIPMENT USED 04	DOT COMPLIANT MOTORCYCLE HELMET <input type="checkbox"/>	SEATING POSITION 01	AIR BAG USAGE <input checked="" type="checkbox"/>	EJECTION <input checked="" type="checkbox"/>	TRAPPED <input checked="" type="checkbox"/>
---	---	------------	-----------------------------------	-----------------------------	---	------------------------	--	---	--

OL STATE OH	OPERATOR LICENSE NUMBER UK628801	OL CLASS 4	No VALID DL <input type="checkbox"/>	M/C END <input type="checkbox"/>	CONDITION 1	ALCOHOL/DRUG SUSPECTED 1	ALCOHOL TEST STATUS 1	ALCOHOL TEST TYPE 1	ALCOHOL TEST VALUE	DRUG TEST STATUS 1	DRUG TEST TYPE
----------------	-------------------------------------	---------------	---	-------------------------------------	----------------	-----------------------------	--------------------------	------------------------	--------------------	-----------------------	----------------

OFFENSE CHARGED (LOCAL CODE)	OFFENSE DESCRIPTION	CITATION NUMBER	HANDS-FREE DEVICE USED <input type="checkbox"/>	DRIVER DISTRACTED BY <input checked="" type="checkbox"/>
-------------------------------	---------------------	-----------------	--	---

UNIT NUMBER	NAME: LAST, FIRST, MIDDLE	DATE OF BIRTH	AGE	GENDER <input type="checkbox"/> F - FEMALE M - MALE
-------------	---------------------------	---------------	-----	---

ADDRESS, CITY, STATE, ZIP	CONTACT PHONE - INCLUDE AREA CODE
---------------------------	-----------------------------------

INJURIES <input type="checkbox"/>	INJURED TAKEN BY <input type="checkbox"/>	EMS AGENCY	MEDICAL FACILITY INJURED TAKEN TO	SAFETY EQUIPMENT USED	DOT COMPLIANT MOTORCYCLE HELMET <input type="checkbox"/>	SEATING POSITION	AIR BAG USAGE <input type="checkbox"/>	EJECTION <input type="checkbox"/>	TRAPPED <input type="checkbox"/>
--------------------------------------	--	------------	-----------------------------------	-----------------------	---	------------------	---	--------------------------------------	-------------------------------------

OL STATE	OPERATOR LICENSE NUMBER	OL CLASS	No VALID DL <input type="checkbox"/>	M/C END <input type="checkbox"/>	CONDITION	ALCOHOL/DRUG SUSPECTED	ALCOHOL TEST STATUS	ALCOHOL TEST TYPE	ALCOHOL TEST VALUE	DRUG TEST STATUS	DRUG TEST TYPE
----------	-------------------------	----------	---	-------------------------------------	-----------	------------------------	---------------------	-------------------	--------------------	------------------	----------------

OFFENSE CHARGED (LOCAL CODE)	OFFENSE DESCRIPTION	CITATION NUMBER	HANDS-FREE DEVICE USED <input type="checkbox"/>	DRIVER DISTRACTED BY <input type="checkbox"/>
-------------------------------	---------------------	-----------------	--	--

INJURIES 1 - NO INJURY / NONE REPORTED 2 - POSSIBLE 3 - NON-INCAPACITATING 4 - INCAPACITATING 5 - FATAL	INJURED TAKEN BY 1 - NOT TRANSPORTED / TREATED AT SCENE 2 - EMS 3 - POLICE 4 - OTHER 9 - UNKNOWN	SAFETY EQUIPMENT USED MOTORIST 01 - NONE USED - VEHICLE OCCUPANT 02 - SHOULDER BELT ONLY USED 03 - LAP BELT ONLY USED 04 - SHOULDER AND LAP BELT ONLY USED NON-MOTORIST 05 - CHILD RESTRAINT SYSTEM-FORWARD FACING 06 - CHILD RESTRAINT SYSTEM-REAR FACING 07 - BOOSTER SEAT 08 - HELMET USED NON-MOTORIST 09 - NONE USED 10 - HELMET USED 11 - PROTECTIVE PADS USED (ELBOWS, KNEES, ETC.) 12 - REFLECTIVE COATING 13 - LIGHTING 14 - OTHER
--	---	--

SEATING POSITION 01 - FRONT - LEFT SIDE (MOTORCYCLE DRIVER) 02 - FRONT - MIDDLE 03 - FRONT - RIGHT SIDE 04 - SECOND - LEFT SIDE (MOTORCYCLE PASSENGER) 05 - SECOND - MIDDLE 06 - SECOND - RIGHT SIDE 07 - THIRD - LEFT SIDE (MOTORCYCLE SIDE CAR) 08 - THIRD - MIDDLE 09 - THIRD - RIGHT SIDE 10 - SLEEPER SECTION OF CAB (TRUCK) 11 - PASSENGER IN OTHER ENCLOSED CARGO AREA (NON-TRAILING UNIT SUCH AS A BUS, PICKUP WITH CAP) 12 - PASSENGER IN UNENCLOSED CARGO AREA 13 - TRAILING UNIT 14 - RIDING ON VEHICLE EXTERIOR (NON-TRAILING UNIT) 15 - NON-MOTORIST 16 - OTHER 99 - UNKNOWN	AIR BAG USAGE 1 - NOT DEPLOYED 2 - DEPLOYED FRONT 3 - DEPLOYED SIDE 4 - DEPLOYED BOTH FRONT/SIDE 5 - NOT APPLICABLE 9 - DEPLOYMENT UNKNOWN
--	--

EJECTION 1 - NOT EJECTED 2 - TOTALLY EJECTED 3 - PARTIALLY EJECTED 4 - NOT APPLICABLE	TRAPPED 1 - NOT TRAPPED 2 - EXTRICATED BY MECHANICAL MEANS 3 - EXTRICATED BY NON-MECHANICAL MEANS	OPERATOR LICENSE CLASS 1 - CLASS A 2 - CLASS B 3 - CLASS C 4 - REGULAR CLASS (OH 01-07) 5 - MCMOPED ONLY	CONDITION 1 - APPARENTLY NORMAL 2 - PHYSICAL IMPAIRMENT 3 - EMOTIONAL (DEPRESSED, ANGRY, DISTURBE) 4 - ILLNESS 5 - FELL ASLEEP, FAINTED, FATIGUE 6 - UNDER THE INFLUENCE OF MEDICATIONS, DRUGS, ALCOHOL 7 - OTHER	ALCOHOL/DRUG SUSPECTED 1 - NONE 2 - YES - ALCOHOL SUSPECTED 3 - YES - HSD NOT IMPAIRED 4 - YES - DRUGS SUSPECTED 5 - YES - ALCOHOL AND DRUGS SUSPECTED
---	--	---	--	---

ALCOHOL TEST STATUS 1 - NONE GIVEN 2 - TEST REFUSED 3 - TEST GIVEN, CONTAMINATED SAMPLE/UNUSABLE 4 - TEST GIVEN, RESULTS KNOWN 5 - TEST GIVEN, RESULTS UNKNOWN	ALCOHOL TEST TYPE 1 - NONE 2 - BLOOD 3 - URINE 4 - BREATH 5 - OTHER	DRUG TEST STATUS 1 - NONE GIVEN 2 - TEST REFUSED 3 - TEST GIVEN, CONTAMINATED SAMPLE/UNUSABLE 4 - TEST GIVEN, RESULTS KNOWN 5 - TEST GIVEN, RESULTS UNKNOWN	DRUG TEST TYPE 1 - NONE 2 - BLOOD 3 - URINE 4 - OTHER	DRIVER DISTRACTED BY 1 - NO DISTRACTION REPORTED 2 - PHONE 3 - TEXTING / EMAILING 4 - ELECTRONIC COMMUNICATION DEVICE 5 - OTHER ELECTRONIC DEVICE (NAVIGATION DEVICE, RADIO, DVD) 6 - OTHER INSIDE THE VEHICLE 7 - EXTERNAL DISTRACTION
---	--	--	---	--

UNIT NUMBER	NAME: LAST, FIRST, MIDDLE	DATE OF BIRTH	AGE	GENDER <input type="checkbox"/> F - FEMALE M - MALE
-------------	---------------------------	---------------	-----	---

ADDRESS, CITY, STATE, ZIP	CONTACT PHONE - INCLUDE AREA CODE
---------------------------	-----------------------------------

INJURIES <input type="checkbox"/>	INJURED TAKEN BY <input type="checkbox"/>	EMS AGENCY	MEDICAL FACILITY INJURED TAKEN TO	SAFETY EQUIPMENT USED	DOT COMPLIANT MOTORCYCLE HELMET <input type="checkbox"/>	SEATING POSITION	AIR BAG USAGE <input type="checkbox"/>	EJECTION <input type="checkbox"/>	TRAPPED <input type="checkbox"/>
--------------------------------------	--	------------	-----------------------------------	-----------------------	---	------------------	---	--------------------------------------	-------------------------------------

UNIT NUMBER	NAME: LAST, FIRST, MIDDLE	DATE OF BIRTH	AGE	GENDER <input type="checkbox"/> F - FEMALE M - MALE
-------------	---------------------------	---------------	-----	---

ADDRESS, CITY, STATE, ZIP	CONTACT PHONE - INCLUDE AREA CODE
---------------------------	-----------------------------------

INJURIES <input type="checkbox"/>	INJURED TAKEN BY <input type="checkbox"/>	EMS AGENCY	MEDICAL FACILITY INJURED TAKEN TO	SAFETY EQUIPMENT USED	DOT COMPLIANT MOTORCYCLE HELMET <input type="checkbox"/>	SEATING POSITION	AIR BAG USAGE <input type="checkbox"/>	EJECTION <input type="checkbox"/>	TRAPPED <input type="checkbox"/>
--------------------------------------	--	------------	-----------------------------------	-----------------------	---	------------------	---	--------------------------------------	-------------------------------------

OCCUPANT / WITNESS ADDENDUM

LOCAL REPORT NUMBER
16 MPD 0435

OCCUPANT	UNIT NUMBER	NAME: LAST, FIRST, MIDDLE Gerber, Ashley,			DATE OF BIRTH 07/31/1987	AGE 29	GENDER <input type="checkbox"/> F - FEMALE <input type="checkbox"/> M - MALE			
	ADDRESS, CITY, STATE, ZIP 4470 CR 50, Glenmont, OH, 44628					CONTACT PHONE - INCLUDE AREA CODE 330-231-3582				
OCCUPANT	INJURIES	INJURED TAKEN BY	EMS AGENCY	MEDICAL FACILITY INJURED TAKEN TO	SAFETY EQUIPMENT USED	DOT COMPLIANT MOTORCYCLE HELMET <input type="checkbox"/>	SEATING POSITION	AIR BAG USAGE	EJECTION	TRAPPED
	<input type="checkbox"/>	<input type="checkbox"/>								
OCCUPANT	UNIT NUMBER	NAME: LAST, FIRST, MIDDLE			DATE OF BIRTH	AGE	GENDER <input type="checkbox"/> F - FEMALE <input type="checkbox"/> M - MALE			
	ADDRESS, CITY, STATE, ZIP					CONTACT PHONE - INCLUDE AREA CODE				
OCCUPANT	INJURIES	INJURED TAKEN BY	EMS AGENCY	MEDICAL FACILITY INJURED TAKEN TO	SAFETY EQUIPMENT USED	DOT COMPLIANT MOTORCYCLE HELMET <input type="checkbox"/>	SEATING POSITION	AIR BAG USAGE	EJECTION	TRAPPED
	<input type="checkbox"/>	<input type="checkbox"/>								
OCCUPANT	UNIT NUMBER	NAME: LAST, FIRST, MIDDLE			DATE OF BIRTH	AGE	GENDER <input type="checkbox"/> F - FEMALE <input type="checkbox"/> M - MALE			
	ADDRESS, CITY, STATE, ZIP					CONTACT PHONE - INCLUDE AREA CODE				
OCCUPANT	INJURIES	INJURED TAKEN BY	EMS AGENCY	MEDICAL FACILITY INJURED TAKEN TO	SAFETY EQUIPMENT USED	DOT COMPLIANT MOTORCYCLE HELMET <input type="checkbox"/>	SEATING POSITION	AIR BAG USAGE	EJECTION	TRAPPED
	<input type="checkbox"/>	<input type="checkbox"/>								
OCCUPANT	UNIT NUMBER	NAME: LAST, FIRST, MIDDLE			DATE OF BIRTH	AGE	GENDER <input type="checkbox"/> F - FEMALE <input type="checkbox"/> M - MALE			
	ADDRESS, CITY, STATE, ZIP					CONTACT PHONE - INCLUDE AREA CODE				
OCCUPANT	INJURIES	INJURED TAKEN BY	EMS AGENCY	MEDICAL FACILITY INJURED TAKEN TO	SAFETY EQUIPMENT USED	DOT COMPLIANT MOTORCYCLE HELMET <input type="checkbox"/>	SEATING POSITION	AIR BAG USAGE	EJECTION	TRAPPED
	<input type="checkbox"/>	<input type="checkbox"/>								
OCCUPANT	UNIT NUMBER	NAME: LAST, FIRST, MIDDLE			DATE OF BIRTH	AGE	GENDER <input type="checkbox"/> F - FEMALE <input type="checkbox"/> M - MALE			
	ADDRESS, CITY, STATE, ZIP					CONTACT PHONE - INCLUDE AREA CODE				
OCCUPANT	INJURIES	INJURED TAKEN BY	EMS AGENCY	MEDICAL FACILITY INJURED TAKEN TO	SAFETY EQUIPMENT USED	DOT COMPLIANT MOTORCYCLE HELMET <input type="checkbox"/>	SEATING POSITION	AIR BAG USAGE	EJECTION	TRAPPED
	<input type="checkbox"/>	<input type="checkbox"/>								

INJURIES	INJURED TAKEN BY	SAFETY EQUIPMENT USED	99 - UNKNOWN SAFETY EQUIPMENT
1 - NO INJURY / NONE REPORTED 2 - POSSIBLE 3 - NON-INCAPACITATING 4 - INCAPACITATING 5 - FATAL	1 - NOT TRANSPORTED / TREATED AT SCENE 2 - EMS 3 - POLICE 4 - OTHER 9 - UNKNOWN	MOTORIST 01 - NONE USED - VEHICLE OCCUPANT 02 - SHOULDER BELT ONLY USED 03 - LAP BELT ONLY USED 04 - SHOULDER AND LAP BELT ONLY USE	NON-MOTORIST 05 - CHILD RESTRAINT SYSTEM-FORWARD FACING 06 - CHILD RESTRAINT SYSTEM-REAR FACING 07 - BOOSTER SEAT 08 - HELMET USED 09 - NONE USED 10 - HELMET USED 11 - PROTECTIVE PADS USED (ELBOWS, KNEES, ETC.) 12 - REFLECTIVE COATING 13 - LIGHTING 14 - OTHER

SEATING POSITION	AIR BAG USAGE	EJECTION	TRAPPED
01 - FRONT - LEFT SIDE (MOTORCYCLE DRIVER) 02 - FRONT - MIDDLE 03 - FRONT - RIGHT SIDE 04 - SECOND - LEFT SIDE (MOTORCYCLE PASSENGER) 05 - SECOND - MIDDLE 06 - SECOND - RIGHT SIDE 07 - THIRD - LEFT SIDE (MOTORCYCLE SIDE CAR) 08 - THIRD - MIDDLE 09 - THIRD - RIGHT SIDE 10 - SLEEPER SECTION OF CAB (TRUCK)	1 - NOT DEPLOYED 2 - DEPLOYED FRONT 3 - DEPLOYED SIDE 4 - DEPLOYED BOTH FRONT/SIDE 5 - NOT APPLICABLE 9 - DEPLOYMENT UNKNOWN	1 - NOT EJECTED 2 - TOTALLY EJECTED 3 - PARTIALLY EJECTED 4 - NOT APPLICABLE	1 - NOT TRAPPED 2 - EXTRICATED BY MECHANICAL MEANS 3 - EXTRICATED BY NON-MECHANICAL MEANS
11 - PASSENGER IN OTHER ENCLOSED CARGO AREA (NON-TRAILING UNIT SUCH AS A BUS, PICKUP WITH CAP) 12 - PASSENGER IN UNENCLOSED CARGO AREA 13 - TRAILING UNIT 14 - RIDING ON VEHICLE EXTERIOR (NON-TRAILING UNIT) 15 - NON-MOTORIST 16 - OTHER 99 - UNKNOWN			