



TRAFFIC CRASH REPORT

LOCAL REPORT NUMBER*	CRASH SEVERITY	HIT/SKIP
16 MPD 1181	3 1 - FATAL 2 - INJURY 3 - PDO	<input type="checkbox"/> 1 - SOLVED <input type="checkbox"/> 2 - UNSOLVED

LOCAL INFORMATION 16MPD1181		REPORTING AGENCY NCIC*	REPORTING AGENCY NAME*	NUMBER OF UNITS	UNIT IN ERROR
<input type="checkbox"/> PHOTOS TAKEN <input type="checkbox"/> OH-2 <input type="checkbox"/> OH-1P <input type="checkbox"/> OH-3 <input type="checkbox"/> OTHER	<input type="checkbox"/> PDO UNDER STATE REPORTABLE DOLLAR AMOUNT	<input type="checkbox"/> PRIVATE PROPERTY	03801	Millersburg Police Department	2
COUNTY*	<input type="checkbox"/> CITY* <input type="checkbox"/> VILLAGE* <input type="checkbox"/> TOWNSHIP*	CITY, VILLAGE, TOWNSHIP*	CRASH DATE*	TIME OF CRASH	DAY OF WEEK
Holmes	Millersburg	Millersburg	07/20/2016	1420	Wed

DEGREES/MINUTES/SECONDS	DECIMAL DEGREES
LATITUDE 40:32:33.92	LONGITUDE 81:55:00.16

ROADWAY DIVISION	DIVIDED LANE DIRECTION OF TRAVEL	NUMBER OF THRU LANES	ROAD TYPES OR MILEPOST
<input type="checkbox"/> DIVIDED <input checked="" type="checkbox"/> UNDIVIDED	<input type="checkbox"/> N - NORTHBOUND E - EASTBOUND <input type="checkbox"/> S - SOUTHBOUND W - WESTBOUND	2	AL - ALLEY CR - CIRCLE HE - HEIGHTS MP - MILEPOST PL - PLAGE ST - STREET WA - WAY AV - AVENUE CT - COURT HW - HIGHWAY PK - PARKWAY RD - ROAD TE - TERRACE BL - BOULEVARD DR - DRIVE LA - LANE SQ - SQUARE PI - PIKE

LOCATION ROUTE NUMBER	LOC PREFIX	LOCATION ROAD NAME	LOCATION ROAD TYPE	ROUTE TYPES
	S N,S E,W	Washington Street	ST	IR - INTERSTATE ROUTE (INC. TURNPIKE) US - US ROUTE CR - NUMBERED COUNTY ROUTE SR - STATE ROUTE TR - NUMBERED TOWNSHIP ROUTE

DISTANCE FROM REFERENCE	DIR FROM REF	REFERENCE ROUTE NUMBER	REF PREFIX	REFERENCE NAME (ROAD, MILEPOST, HOUSE #)	REFERENCE ROAD TYPE
At <input type="checkbox"/> MILES <input type="checkbox"/> FEET <input type="checkbox"/> YARDS	<input type="checkbox"/> N,S <input type="checkbox"/> E,W		N,S E,W	980 S Washington Street	

REFERENCE POINT USED	CRASH LOCATION	LOCATION OF FIRST HARMFUL EVENT
<input checked="" type="checkbox"/> 1 - INTERSECTION <input type="checkbox"/> 2 - MILE POST <input type="checkbox"/> 3 - HOUSE NUMBER	<input checked="" type="checkbox"/> 01 01 - NOT AN INTERSECTION 02 - FOUR-WAY INTERSECTION 03 - T-INTERSECTION 04 - Y-INTERSECTION 05 - TRAFFIC CIRCLE/ROUNDBOUT 06 - FIVE-POINT, OR MORE 07 - ON RAMP 08 - OFF RAMP 09 - CROSSOVER 10 - DRIVEWAY/ALLEY ACCESS	<input checked="" type="checkbox"/> 1 1 - ON ROADWAY 5 - ON GORE 2 - ON SHOULDER 6 - OUTSIDE TRAFFICWAY 3 - IN MEDIAN 9 - UNKNOWN 4 - ON ROADSIDE

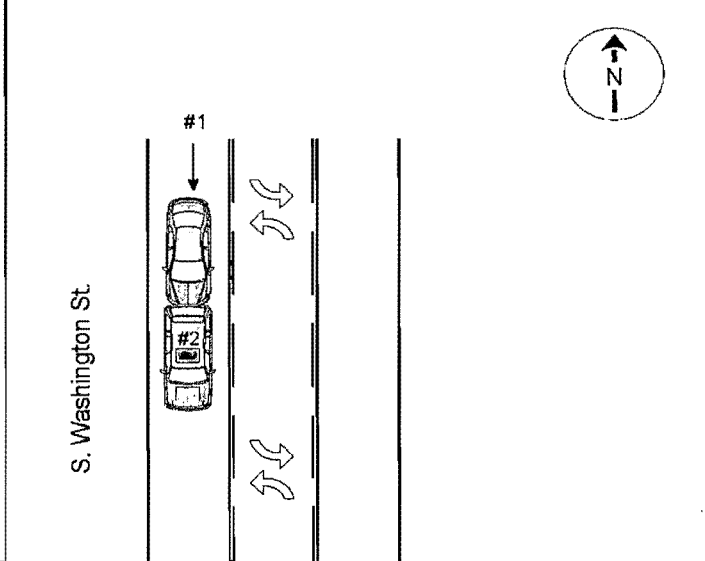
ROAD CONTOUR	ROAD CONDITIONS	WEATHER
<input checked="" type="checkbox"/> 1 - STRAIGHT LEVEL 4 - CURVE GRADE <input type="checkbox"/> 2 - STRAIGHT GRADE 9 - UNKNOWN <input type="checkbox"/> 3 - CURVE LEVEL	PRIMARY <input checked="" type="checkbox"/> 01 SECONDARY <input type="checkbox"/> 01 - DRY 02 - WET 03 - SNOW 04 - ICE 05 - SAND, MUD, DIRT, OIL, GRAVEL 06 - WATER (STANDING, MOVING) 07 - SLUSH 08 - DEBRIS*	<input checked="" type="checkbox"/> 1 1 - CLEAR 2 - CLOUDY 3 - FOG, SMOG, SMOKE 4 - RAIN 5 - SLEET, HAIL 6 - SNOW 7 - SEVERE CROSSWINDS 8 - BLOWING SAND, SOIL, DIRT, SNOW 9 - OTHER/UNKNOWN

MANNER OF CRASH COLLISION/IMPACT	WEATHER
<input checked="" type="checkbox"/> 2 1 - NOT COLLISION BETWEEN TWO MOTOR VEHICLES IN TRANSPORT 2 - REAR-END 3 - HEAD-ON 4 - REAR-TO-REAR 5 - BACKING 6 - ANGLE 7 - SIDESWIPE, SAME DIRECTION 8 - SIDESWIPE, OPPOSITE DIRECTION 9 - UNKNOWN	<input checked="" type="checkbox"/> 1 1 - CLEAR 2 - CLOUDY 3 - FOG, SMOG, SMOKE 4 - RAIN 5 - SLEET, HAIL 6 - SNOW 7 - SEVERE CROSSWINDS 8 - BLOWING SAND, SOIL, DIRT, SNOW 9 - OTHER/UNKNOWN

ROAD SURFACE	LIGHT CONDITIONS	SCHOOL BUS RELATED
<input checked="" type="checkbox"/> 2 1 - CONCRETE 2 - BLACKTOP, BITUMINOUS, ASPHALT 3 - BRICK/BLOCK 4 - SLAG, GRAVEL, STONE 5 - DIRT 6 - OTHER	<input checked="" type="checkbox"/> 1 1 - DAYLIGHT 2 - DAWN 3 - DUSK 4 - DARK - LIGHTED ROADWAY 5 - DARK - ROADWAY NOT LIGHTED 6 - DARK - UNKNOWN ROADWAY LIGHTING 7 - GLARE* 8 - OTHER	<input type="checkbox"/> SCHOOL ZONE RELATED <input type="checkbox"/> YES SCHOOL BUS DIRECTLY INVOLVED <input type="checkbox"/> YES SCHOOL BUS INDIRECTLY INVOLVED

WORK ZONE RELATED	TYPE OF WORK ZONE	LOCATION OF CRASH IN WORK ZONE
<input type="checkbox"/> WORKERS PRESENT <input type="checkbox"/> LAW ENFORCEMENT PRESENT (OFFICER/VEHICLE) <input type="checkbox"/> LAW ENFORCEMENT PRESENT (VEHICLE ONLY)	<input type="checkbox"/> 1 - LANE CLOSURE <input type="checkbox"/> 2 - LANE SHIFT/CROSSOVER <input type="checkbox"/> 3 - WORK ON SHOULDER OR MEDIAN 4 - INTERMITTENT OR MOVING WORK 5 - OTHER	<input type="checkbox"/> 1 - BEFORE THE FIRST WORK ZONE WARNING SIGN <input type="checkbox"/> 2 - ADVANCE WARNING AREA <input type="checkbox"/> 3 - TRANSITION AREA 4 - ACTIVITY AREA 5 - TERMINATION AREA

NARRATIVE
Unit number one was Southbound on Washington street when she struck the rear of unit number two who was stopped in traffic.



REPORT TAKEN BY	<input type="checkbox"/> SUPPLEMENT (CORRECTION OR ADDITION TO AN EXISTING REPORT SENT TO ODPS)					
<input checked="" type="checkbox"/> POLICE AGENCY <input type="checkbox"/> MOTORIST						
DATE CRASH REPORTED	TIME CRASH REPORTED	DISPATCH TIME	ARRIVAL TIME	TIME CLEARED	OTHER INVESTIGATION TIME	TOTAL MINUTES
07/20/2016	1423	1423	1426	1435	30	42
OFFICER'S NAME*	OFFICER'S BADGE NUMBER	CHECKED BY				
Herman, Kim	101					



UNIT

LOCAL REPORT NUMBER
16 MPD 1181

UNIT NUMBER 1	OWNER NAME: LAST, FIRST, MIDDLE (<input type="checkbox"/> SAME AS DRIVER) Dille, Patricia, J	OWNER PHONE NUMBER 740-610-7698	DAMAGE SCALE 2	DAMAGE AREA FRONT
OWNER ADDRESS: CITY, STATE, ZIP (<input type="checkbox"/> SAME AS DRIVER) 27041 TR 29, Warsaw, OH, 43844				
LP STATE OH	LICENSE PLATE NUMBER GQS5600	VEHICLE IDENTIFICATION NUMBER 1C3CCCB8FN753327	# OCCUPANTS 1	
VEHICLE YEAR 2015	VEHICLE MAKE Chrysler	VEHICLE MODEL Other	VEHICLE COLOR BLU	
<input type="checkbox"/> PROOF OF INSURANCE SHOWN	INSURANCE COMPANY State Farm	POLICY NUMBER 7824081A2435A	TOWED BY	

CARRIER NAME, ADDRESS, CITY, STATE, ZIP _____ CARRIER PHONE _____

US DOT	VEHICLE WEIGHT GVWR/GCWR <input type="checkbox"/> 1 - LESS THAN OR EQUAL TO 10K LBS <input type="checkbox"/> 2 - 10,001 TO 26,000K LBS <input type="checkbox"/> 3 - MORE THAN 26,000K LBS.	CARGO BODY TYPE 01 01 - NO CARGO BODY TYPE/NOT APPLICABLE 02 - BUS/VAN (9-15 SEATS, INC DRIVER) 03 - BUS (16+ SEATS, INC DRIVER) 04 - VEHICLE TOWING ANOTHER VEHICLE 05 - LOGGING 06 - INTERMODAL CONTAINER CHASSIS 07 - CARGO VAN/ENCLOSED BOX 08 - GRAY, CHIPS, GRAVEL	TRAFFICWAY DESCRIPTION 1 1 - T WO-WAY, NOT DIVIDED 2 - T WO-WAY, NOT DIVIDED, CONTINUOUS LEFT TURN LANE 3 - T WO-WAY, DIVIDED, UNPROTECTED (PAINTED OR GRASS >4FT.) MEDIAN 4 - T WO-WAY, DIVIDED, POSITIVE MEDIAN BARRIER 5 - ONE-WAY TRAFFICWAY
HM PLACARD ID NO.	HAZARDOUS MATERIAL <input type="checkbox"/> RELATED	09 - POLE 10 - CARGO TANK 11 - FLAT BED 12 - DUMP 13 - CONCRETE MIXER 14 - AUTO TRANSPORTER 15 - GARBAGE /REFUSE 99 - OTHER/UNKNOWN	<input type="checkbox"/> HIT / SKIP UNIT
HM CLASS NUMBER			

NON-MOTORIST LOCATION PRIOR TO IMPACT <input type="checkbox"/> 01 - INTERSECTION - MARKED CROSSWALK <input type="checkbox"/> 02 - INTERSECTION - NO CROSSWALK <input type="checkbox"/> 03 - INTERSECTION OTHER <input type="checkbox"/> 04 - MIDBLOCK - MARKED CROSSWALK <input type="checkbox"/> 05 - TRAVEL LANE - OTHER LOCATION <input type="checkbox"/> 06 - BICYCLE LANE <input type="checkbox"/> 07 - SHOULDER/ROADSIDE <input type="checkbox"/> 08 - SIDEWALK <input type="checkbox"/> 09 - MEDIAN/CROSSING ISLAND <input type="checkbox"/> 10 - DRIVEWAY ACCESS <input type="checkbox"/> 11 - SHARED USE PATH OR TRAIL <input type="checkbox"/> 12 - NON-TRAFFICWAY AREA <input type="checkbox"/> 99 - OTHER/UNKNOWN	TYPE OF USE 1 1 - PERSONAL 2 - COMMERCIAL 3 - GOVERNMENT <input type="checkbox"/> IN EMERGENCY RESPONSE	UNIT TYPE 03 PASSENGER VEHICLES (LESS THAN 9 PASSENGERS) MED/HEAVY TRUCKS OR COMBO UNITS > 10K LBS BUS/VAN/LIMO (9 OR MORE INCLUDING DRIVER) 01 - SUB COMPACT 02 - COMPACT 03 - MID SIZE 04 - FULL SIZE 05 - MINIVAN 06 - SPORT UTILITY VEHICLE 07 - PICKUP 08 - VAN 09 - MOTORCYCLE 10 - MOTORIZED BICYCLE 11 - SNOWMOBILE/ATV 12 - OTHER PASSENGER VEHICLE 99 - UNKNOWN OR HIT/SKIP	<input type="checkbox"/> HAS HM PLACARD
--	---	---	---

SPECIAL FUNCTION 01 01 - NONE 02 - TAXI 03 - RENTAL TRUCK (OVER 10K LBS) 04 - BUS - SCHOOL (PUBLIC OR PRIVATE) 05 - BUS - TRANSIT 06 - BUS - CHARTER 07 - BUS - SHUTTLE 08 - BUS - OTHER	09 - AMBULANCE 10 - FIRE 11 - HIGHWAY/MAINTENANCE 12 - MILITARY 13 - POLICE 14 - PUBLIC UTILITY 15 - OTHER GOVERNMENT 16 - CONSTRUCTION EQUIP.	17 - FARM VEHICLE 18 - FARM EQUIPMENT 19 - MOTORHOME 20 - GOLF CART 21 - TRAIN 22 - OTHER (EXPLAIN IN NARRATIVE)	MOST DAMAGED AREA 02 01 - NONE 02 - CENTER FRONT 03 - RIGHT FRONT 04 - RIGHT SIDE 05 - RIGHT REAR 06 - REAR CENTER 07 - LEFT REAR	08 - LEFT SIDE 09 - LEFT FRONT 10 - TOP AND WINDOWS 11 - UNDERCARRIAGE 12 - LOAD/TRAILER 13 - TOTAL (ALL AREAS) 14 - OTHER	99 - UNKNOWN	ACTION 3 1 - NON-CONTACT 2 - NON-COLLISION 3 - STRIKING 4 - STRUCK 5 - STRIKING/STRUCK 9 - UNKNOWN
--	---	---	--	--	--------------	--

PRE-CRASH ACTIONS 01 MOTORIST 01 - STRAIGHT AHEAD 02 - BACKING 03 - CHANGING LANES 04 - OVERTAKING/PASSING 05 - MAKING RIGHT TURN 06 - MAKING LEFT TURN 99 - UNKNOWN	07 - MAKING U-TURN 08 - ENTERING TRAFFIC LANE 09 - LEAVING TRAFFIC LANE 10 - PARKED 11 - SLOWING OR STOPPED IN TRAFFIC 12 - DRIVERLESS	13 - NEGOTIATING A CURVE 14 - OTHER MOTORIST ACTION	NON-MOTORIST 15 - ENTERING OR CROSSING SPECIFIED LOCATION 16 - WALKING/RUNNING/JOGGING/PLAYING/CYCLING 17 - WORKING 18 - PUSHING VEHICLE 19 - APPROACHING OR LEAVING VEHICLE 20 - STANDING 21 - OTHER NON-MOTORIST ACTION
--	---	--	--

CONTRIBUTING CIRCUMSTANCE PRIMARY 09 01 - NONE 02 - FAILURE TO YIELD 03 - RAN RED LIGHT 04 - RAN STOP SIGN 05 - EXCEEDED SPEED LIMIT 06 - UNSAFE SPEED 07 - IMPROPER TURN 08 - LEFT OF CENTER 09 - FOLLOWED TOO CLOSELY/ACDA 10 - IMPROPER LANE CHANGE/PASSING/OFF ROAD 99 - UNKNOWN	MOTORIST 01 - NONE 02 - FAILURE TO YIELD 03 - RAN RED LIGHT 04 - RAN STOP SIGN 05 - EXCEEDED SPEED LIMIT 06 - UNSAFE SPEED 07 - IMPROPER TURN 08 - LEFT OF CENTER 09 - FOLLOWED TOO CLOSELY/ACDA 10 - IMPROPER LANE CHANGE/PASSING/OFF ROAD	11 - IMPROPER BACKING 12 - IMPROPER START FROM PARKED POSITION 13 - STOPPED OR PARKED ILLEGALLY 14 - OPERATING VEHICLE IN NEGLIGENT MANNER 15 - SWERING TO AVOID (DUE TO EXTERNAL CONDITIONS) 16 - WRONG SIDE/WRONG WAY 17 - FAILURE TO CONTROL 18 - VISION OBSTRUCTION 19 - OPERATING DEFECTIVE EQUIPMENT 20 - LOAD SHIFTING/FALLING/SPILLING 21 - OTHER IMPROPER ACTION	NON-MOTORIST 22 - NONE 23 - IMPROPER CROSSING 24 - DARTING 25 - LYING AND/OR ILLEGALLY IN ROADWAY 26 - FAILURE TO YIELD RIGHT OF WAY 27 - NOT VISIBLE (DARK CLOTHING) 28 - INATTENTIVE 29 - FAILURE TO OBEY TRAFFIC SIGNS/SIGNALS/OFFICER 30 - WRONG SIDE OF THE ROAD 31 - OTHER NON-MOTORIST ACTION	VEHICLE DEFECTS <input type="checkbox"/> 01 - TURN SIGNALS <input type="checkbox"/> 02 - HEAD LAMPS <input type="checkbox"/> 03 - TAIL LAMPS <input type="checkbox"/> 04 - BRAKES <input type="checkbox"/> 05 - STEERING <input type="checkbox"/> 06 - TIRE BLOWOUT <input type="checkbox"/> 07 - WORN OR SLICK TIRES <input type="checkbox"/> 08 - TRAILER EQUIPMENT DEFECTIVE <input type="checkbox"/> 09 - MOTOR TROUBLE <input type="checkbox"/> 10 - DISABLED FROM PRIOR ACCIDENT <input type="checkbox"/> 11 - OTHER DEFECTS
--	---	---	--	---

SEQUENCE OF EVENTS 1 20 2 <input type="checkbox"/> 3 <input type="checkbox"/> 4 <input type="checkbox"/> 5 <input type="checkbox"/> 6 <input type="checkbox"/> FIRST HARMFUL EVENT 1 MOST HARMFUL EVENT 1 99 - UNKNOWN	NON-COLLISION EVENTS 01 - OVERTURN/ROLLOVER 02 - FIRE/EXPLOSION 03 - IMMERSION 04 - JACKKNIFE 05 - CARGO/EQUIPMENT LOSS OR SHIFT 06 - EQUIPMENT FAILURE (BLOWN TIRE, BRAKE FAILURE, ETC) 07 - SEPARATION OF UNITS 08 - RAN OFF ROAD RIGHT 09 - RAN OFF ROAD LEFT 10 - CROSS MEDIAN 11 - CROSS CENTER LINE 12 - OPPOSITE DIRECTION OF TRAVEL 13 - DOWNHILL RUNAWAY 14 - OTHER NON-COLLISION	COLLISION WITH FIXED OBJECT 25 - IMPACT ATTENUATOR/CRASH CUSHION 26 - BRIDGE OVERHEAD STRUCTURE 27 - BRIDGE PIER OR ABUTMENT 28 - BRIDGE PARAPET 29 - BRIDGE RAIL 30 - GUARDRAIL FACE 31 - GUARDRAIL END 32 - PORTABLE BARRIER 33 - MEDIAN CABLE BARRIER 34 - MEDIAN GUARDRAIL BARRIER 35 - MEDIAN CONCRETE BARRIER 36 - MEDIAN OTHER BARRIER 37 - TRAFFIC SIGN POST 38 - OVERHEAD SIGN POST 39 - LIGHT/LUMINARIES SUPPORT 40 - UTILITY POLE 41 - OTHER POST, POLE OR SUPPORT 42 - CULVERT 43 - CURB 44 - DITCH 45 - EMBANKMENT 46 - FENCE 47 - MAILBOX 48 - TREE 49 - FIRE HYDRANT 50 - WORK ZONE MAINTENANCE EQUIPMENT 51 - WALL, BUILDING, TUNNEL 52 - OTHER FIXED OBJECT
---	--	--

UNIT SPEED 10 <input type="checkbox"/> STATED <input checked="" type="checkbox"/> ESTIMATED	POSTED SPEED 35	TRAFFIC CONTROL 12 01 - NO CONTROLS 02 - STOP SIGN 03 - YIELD SIGN 04 - TRAFFIC SIGNAL 05 - TRAFFIC FLASHERS 06 - SCHOOL ZONE 07 - RAILROAD CROSSBUCKS 08 - RAILROAD FLASHERS 09 - RAILROAD GATES 10 - CONSTRUCTION BARRICADE 11 - PERSON (FLAGGER, OFFICER) 12 - PAVEMENT MARKINGS	UNIT DIRECTION FROM 1 TO 2 1 - NORTH 2 - SOUTH 3 - EAST 4 - WEST 5 - NORTHEAST 6 - NORTHWEST 7 - SOUTHEAST 8 - SOUTHWEST 9 - UNKNOWN
---	---------------------------	---	--



UNIT

LOCAL REPORT NUMBER
16 MPD 1181

UNIT NUMBER 2	OWNER NAME: LAST, FIRST, MIDDLE (<input type="checkbox"/> SAME AS DRIVER) Richardson, Yvonne, L	OWNER PHONE NUMBER 740-502-0306	DAMAGE SCALE 2	DAMAGE AREA FRONT	
OWNER ADDRESS: CITY, STATE, ZIP (<input type="checkbox"/> SAME AS DRIVER) 333 W Canal Street, Coshocton, OH, 43812				1 - NONE	
LP STATE OH	LICENSE PLATE NUMBER IB4DEJR	VEHICLE IDENTIFICATION NUMBER 1FMCU0D73BKC03380		# OCCUPANTS 1	2 - MINOR
VEHICLE YEAR 2011	VEHICLE MAKE Ford	VEHICLE MODEL Escape		VEHICLE COLOR BLK	3 - FUNCTIONAL
<input type="checkbox"/> PROOF OF INSURANCE SHOWN	INSURANCE COMPANY United Ohio	POLICY NUMBER NSA1138445-02		TOWED BY	4 - DISABLING
CARRIER NAME, ADDRESS, CITY, STATE, ZIP				CARRIER PHONE	

US DOT	VEHICLE WEIGHT GVWR/GCWR <input type="checkbox"/> 1 - LESS THAN OR EQUAL TO 10K LBS <input type="checkbox"/> 2 - 10,001 TO 26,000K LBS <input type="checkbox"/> 3 - MORE THAN 26,000K LBS.	CARGO BODY TYPE 01 01 - NO CARGO BODY TYPE/NOT APPLICABL 02 - BUS/VAN (9-15 SEATS, INC DRIVER) 03 - BUS (16+ SEATS, INC DRIVER) 04 - VEHICLE TOWING ANOTHER VEHICLE 05 - LOGGING 06 - INTERMODAL CONTAINER CHASSIS 07 - CARGO VAN/ENCLOSED BOX 08 - GRAN, CHIPS, GRAVEL	09 - POLE 10 - CARGO TANK 11 - FLAT BED 12 - DUMP 13 - CONCRETE MIXER 14 - AUTO TRANSPORTER 15 - GARBAGE/REFUSE 99 - OTHER/UNKNOWN	TRAFFICWAY DESCRIPTION 1 1 - T WO-WAY, NOT DIVIDED 2 - T WO-WAY, NOT DIVIDED, CONTINUOUS LEFT TURN LANE 3 - T WO-WAY, DIVIDED, UNPROTECTED (PAINTED OR GRASS 4FT.) MEDA 4 - T WO-WAY, DIVIDED, POSITIVE MEDIAN BARRIER 5 - ONE-WAY TRAFFICWAY <input type="checkbox"/> Hit / Skip UNIT
HM PLACARD ID NO.	HAZARDOUS MATERIAL <input type="checkbox"/> RELATED			
HM CLASS NUMBER				

NON-MOTORIST LOCATION PRIOR TO IMPACT <input type="checkbox"/> 01 - INTERSECTION - MARKED CROSSWALK 02 - INTERSECTION - NO CROSSWALK 03 - INTERSECTION OTHER 04 - MIDBLOCK - MARKED CROSSWALK 05 - TRAVEL LANE - OTHER LOCATION 06 - BICYCLE LANE 07 - SHOULDER/ROADSIDE 08 - SIDEWALK 09 - MEDIUM CROSSING ISLAND 10 - DRIVE WAY ACCESS 11 - SHARED USE PATH OR TRAIL 12 - NON-TRAFFICWAY AREA 99 - OTHER/UNKNOWN	TYPE OF USE 1 1 - PERSONAL 2 - COMMERCIAL 3 - GOVERNMENT <input type="checkbox"/> IN EMERGENCY RESPONSE	UNIT TYPE 06 PASSENGER VEHICLES (LESS THAN 9 PASSENGERS) 01 - SUB COMPACT 02 - COMPACT 03 - MID SIZE 04 - FULL SIZE 05 - MINIVAN 06 - SPORT UTILITY VEHICLE 07 - PICKUP 08 - VAN 09 - MOTORCYCLE 10 - MOTORIZED BICYCLE 11 - SNOWMOBILE/ATV 12 - OTHER PASSENGER VEHICLE	MED/HEAVY TRUCKS OR COMBO UNITS > 10K LBS BUS/VAN/LIMO (9 OR MORE INCLUDING DRIVER) 13 - SINGLE UNIT TRUCK OR VAN 2AXLE, 6 TIRES 14 - SINGLE UNIT TRUCK; 3+ AXLES 15 - SINGLE UNIT TRUCK / TRAILER 16 - TRUCK/TRACTOR (BOBTAIL) 17 - TRACTOR/SEMI-TRAILER 18 - TRACTOR/DOUBLE 19 - TRACTOR/TRIPLES 20 - OTHER MED/HEAVY VEHICLE	21 - BUS/VAN (9-15 SEATS, INC DRIVER) 22 - BUS (16+ SEATS INC DRIVER) NON-MOTORIST 23 - ANIMAL WITH RIDER 24 - ANIMAL WITH BUGGY, WAGON, SURREY 25 - BICYCLE/PEADOCYCLIST 26 - PEDESTRIAN/SKATER 27 - OTHER NON-MOTORIST
<input type="checkbox"/> HAS HM PLACARD				

SPECIAL FUNCTION 01 01 - NONE 02 - TAXI 03 - RENTAL TRUCK (OVER 10K LBS) 04 - BUS - SCHOOL (PUBLIC OR PRIVATE) 05 - BUS - TRANSIT 06 - BUS - CHARTER 07 - BUS - SHUTTLE 08 - BUS - OTHER	09 - AMBULANCE 10 - FIRE 11 - HIGHWAY/MAINTENANCE 12 - MILITARY 13 - POLICE 14 - PUBLIC UTILITY 15 - OTHER GOVERNMENT 16 - CONSTRUCTION EQUIP.	17 - FARM VEHICLE 18 - FARM EQUIPMENT 19 - MOTORHOME 20 - GOLF CART 21 - TRAIN 22 - OTHER (EXPLAIN IN NARRATIVE)	MOST DAMAGED AREA 06 01 - NONE 02 - CENTER FRONT 03 - RIGHT FRONT 04 - RIGHT SIDE 05 - RIGHT REAR 06 - REAR CENTER 07 - LEFT REAR	08 - LEFT SIDE 09 - LEFT FRONT 10 - TOP AND WINDOWS 11 - UNDERCARRIAGE 12 - LOAD/TRAILER 13 - TOTAL (ALL AREAS) 14 - OTHER	99 - UNKNOWN	ACTION 4 1 - NON-CONTACT 2 - NON-COLLISION 3 - STRIKING 4 - STRUCK 5 - STRIKING/STRUCK 9 - UNKNOWN
--	---	---	--	--	--------------	--

PRIE. CRASH ACTIONS 11 MOTORIST 01 - STRAIGHT AHEAD 02 - BACKING 03 - CHANGING LANES 04 - OVERTAKING/PASSING 05 - MAKING RIGHT TURN 06 - MAKING LEFT TURN 99 - UNKNOWN	07 - MAKING U-TURN 08 - ENTERING TRAFFIC LANE 09 - LEAVING TRAFFIC LANE 10 - PARKED 11 - SLOWING OR STOPPED IN TRAFFIC 12 - DRIVERLESS	13 - NEGOTIATING A CURVE 14 - OTHER MOTORIST ACTIO	15 - ENTERING OR CROSSING SPECIFIED LOCATIO 16 - WALKING/RUNNING, JOGGING, PLAYING, CYCLING 17 - WORKING 18 - PUSHING VEHICLE 19 - APPROACHING OR LEAVING VEHICLE 20 - STANDING	21 - OTHER NON-MOTORIST ACTION
--	---	---	--	--------------------------------

CONTRIBUTING CIRCUMSTANCE PRIMARY 01 01 - NONE 02 - FAILURE TO YIELD 03 - RAN RED LIGHT 04 - RAN STOP SIGN 05 - EXCEEDED SPEED LIMIT 06 - UNSAFE SPEED 07 - IMPROPER TURN 08 - LEFT OF CENTER 09 - FOLLOWED TOO CLOSELY/ACDA 10 - IMPROPER LANE CHANGE iPASSING/OFF ROAD	MOTORIST 01 - NONE 02 - FAILURE TO YIELD 03 - RAN RED LIGHT 04 - RAN STOP SIGN 05 - EXCEEDED SPEED LIMIT 06 - UNSAFE SPEED 07 - IMPROPER TURN 08 - LEFT OF CENTER 09 - FOLLOWED TOO CLOSELY/ACDA 10 - IMPROPER LANE CHANGE iPASSING/OFF ROAD	11 - IMPROPER BACKING 12 - IMPROPER START FROM PARKED POSITION 13 - STOPPED OR PARKED ILLEGALLY 14 - OPERATING VEHICLE IN NEGLIGENT MANNER 15 - SWERING TO AVOID (DUE TO EXTERNAL CONDITIONS) 16 - WRONG SIDE/WRONG WAY 17 - FAILURE TO CONTROL 18 - VISION OBSTRUCTION 19 - OPERATING DEFECTIVE EQUIPMENT 20 - LOAD SHIFTING/FALLING/SPILLING 21 - OTHER IMPROPER ACTION	NON-MOTORIST 22 - NONE 23 - IMPROPER CROSSING 24 - DARTING 25 - LYING AND/OR ILLEGALLY IN ROADWAY 26 - FAILURE TO YIELD RIGHT OF WAY 27 - NOT VISIBLE (DARK CLOTHING) 28 - INATTENTIVE 29 - FAILURE TO OBEY TRAFFIC SIGNS /SIGNALS/OFFICER 30 - WRONG SIDE OF THE ROAD 31 - OTHER NON-MOTORIST ACTION	VEHICLE DEFECTS <input type="checkbox"/> 01 - TURN SIGNALS 02 - HEAD LAMPS 03 - TAIL LAMPS 04 - BRAKES 05 - STEERING 06 - TIRE BLOWOUT 07 - WORN OR SLICK TIRES 08 - TRAILER EQUIPMENT DEFECTIVE 09 - MOTOR TROUBLE 10 - DISABLED FROM PRIOR ACCIDENT 11 - OTHER DEFECTS
--	---	---	---	---

SEQUENCE OF EVENTS 1 20 2 <input type="checkbox"/> 3 <input type="checkbox"/> 4 <input type="checkbox"/> 5 <input type="checkbox"/> 6 <input type="checkbox"/> FIRST HARMFUL EVENT 1 MOST HARMFUL EVENT 1 99 - UNKNOWN	NON-COLLISION EVENTS 01 - OVERTURN/ROLLOVER 02 - FIRE/EXPLOSION 03 - IMERSION 04 - JACKKNIFE 05 - CARGO/EQUIPMENT LOSS OR SHIFT	06 - EQUIPMENT FAILURE (BLOWN TIRE, BRAKE FAILURE, ETC) 07 - SEPARATION OF UNITS 08 - RAN OFF ROAD RIGHT 09 - RAN OFF ROAD LEFT	10 - CROSS MEDIAN 11 - CROSS CENTER LINE OPPOSITE DIRECTION OF TRAVEL 12 - DOWNHILL RUNAWAY 13 - OTHER NON-COLLISION
COLLISION WITH PERSON, VEHICLE OR OBJECT NOT FIXED 14 - PEDESTRIAN 15 - PEDALCYCLE 16 - RAILWAY VEHICLE (TRAIN, ENGINE) 17 - ANIMAL - FARM 18 - ANIMAL - DEER 19 - ANIMAL - OTHER 20 - MOTOR VEHICLE IN TRANSPORT			
COLLISION WITH FIXED OBJECT 21 - PARKED MOTOR VEHICLE 22 - WORK ZONE MAINTENANCE EQUIPMENT 23 - STRUCK BY FALLING, SHIFTING CARGO OR ANYTHING SET IN MOTION BY A MOTOR VEHICLE 24 - OTHER MOVABLE OBJECT 25 - IMPACT ATTENUATOR/CRASH CUSHION 26 - BRIDGE OVERHEAD STRUCTURE 27 - BRIDGE PIER OR ABUTMENT 28 - BRIDGE PARAPET 29 - BRIDGE RAIL 30 - GUARDRAIL FACE 31 - GUARDRAIL END 32 - PORTABLE BARRIER 33 - MEDIAN CABLE BARRIER 34 - MEDIAN GUARDRAIL BARRIER 35 - MEDIAN CONCRETE BARRIER 36 - MEDIAN OTHER BARRIER 37 - TRAFFIC SIGN POST 38 - OVERHEAD SIGN POST 39 - LIGHT/LUMINARIES SUPPORT 40 - UTILITY POLE 41 - OTHER POST, POLE OR SUPPORT 42 - CULVERT 43 - CURB 44 - DITCH 45 - EMBANKMENT 46 - FENCE 47 - MAILBOX 48 - TREE 49 - FIRE HYDRANT 50 - WORK ZONE MAINTENANCE EQUIPMENT 51 - WALL, BUILDING, TUNNEL 52 - OTHER FIXED OBJECT			

UNIT SPEED 0	POSTED SPEED 35	TRAFFIC CONTROL 12 01 - NO CONTROLS 02 - STOP SIGN 03 - YIELD SIGN 04 - TRAFFIC SIGNAL 05 - TRAFFIC FLASHERS 06 - SCHOOL ZONE 07 - RAILROAD CROSSBUCKS 08 - RAILROAD FLASHERS 09 - RAILROAD GATES 10 - CONSTRUCTION BARRICADE 11 - PERSON (FLAGGER, OFFICER 12 - PAVEMENT MARKINGS	13 - CROSSWALK LINES 14 - WALK/DON'T WALK 15 - OTHER 16 - NOT REPORTED	UNIT DIRECTION FROM 1 TO 2 1 - NORTH 2 - SOUTH 3 - EAST 4 - WEST 5 - NORTHEAST 6 - NORTHWEST 7 - SOUTHEAST 8 - SOUTHWEST 9 - UNKNOWN
<input type="checkbox"/> STATED <input type="checkbox"/> ESTIMATED				



MOTORIST / Non-MOTORIST / OCCUPANT

LOCAL REPORT NUMBER -
16 MPD 1181

MOTORIST/Non-MOTORIST

UNIT NUMBER 1	NAME: LAST, FIRST, MIDDLE Dille, Patricia, J	DATE OF BIRTH 07/08/1961	AGE 55	GENDER <input checked="" type="checkbox"/> F - FEMALE <input type="checkbox"/> M - MALE
ADDRESS, CITY, STATE, ZIP 27041 TR 29, Warsaw, OH, 43844			CONTACT PHONE - INCLUDE AREA CODE 740-610-7698	
INJURIES <input checked="" type="checkbox"/>	INJURED TAKEN BY <input checked="" type="checkbox"/>	EMS AGENCY	MEDICAL FACILITY INJURED TAKEN TO	SAFETY EQUIPMENT USED 04
OL STATE OH	OPERATOR LICENSE NUMBER RS285253	OL CLASS <input checked="" type="checkbox"/> 4	No <input type="checkbox"/> VALID DL M/C <input type="checkbox"/> END	CONDITION <input checked="" type="checkbox"/> 1
OFFENSE CHARGED (<input type="checkbox"/> LOCAL CODE) 333.03A		OFFENSE DESCRIPTION ACDA		CITATION NUMBER 12406
HANDS-FREE <input type="checkbox"/> DEVICE USED		DRIVER DISTRACTED BY <input checked="" type="checkbox"/> 1		

MOTORIST/Non-MOTORIST

UNIT NUMBER 2	NAME: LAST, FIRST, MIDDLE Richardson, Yvonne, L	DATE OF BIRTH 10/18/1964	AGE 51	GENDER <input checked="" type="checkbox"/> F - FEMALE <input type="checkbox"/> M - MALE
ADDRESS, CITY, STATE, ZIP 333 W Canal Street, Coshocton, OH, 43812			CONTACT PHONE - INCLUDE AREA CODE 740-502-0306	
INJURIES <input checked="" type="checkbox"/>	INJURED TAKEN BY <input checked="" type="checkbox"/>	EMS AGENCY	MEDICAL FACILITY INJURED TAKEN TO	SAFETY EQUIPMENT USED 04
OL STATE OH	OPERATOR LICENSE NUMBER RP532701	OL CLASS <input checked="" type="checkbox"/> 4	No <input type="checkbox"/> VALID DL M/C <input type="checkbox"/> END	CONDITION <input checked="" type="checkbox"/> 1
OFFENSE CHARGED (<input type="checkbox"/> LOCAL CODE)		OFFENSE DESCRIPTION		CITATION NUMBER
HANDS-FREE <input type="checkbox"/> DEVICE USED		DRIVER DISTRACTED BY <input checked="" type="checkbox"/> 1		

INJURIES	INJURED TAKEN BY	SAFETY EQUIPMENT USED	99 - UNKNOWN SAFETY EQUIPMENT
1 - NO INJURY / NONE REPORTED 2 - POSSIBLE 3 - NON-INCAPACITATING 4 - INCAPACITATING 5 - FATAL	1 - NOT TRANSPORTED / TREATED AT SCENE 2 - EMS 3 - POLICE 4 - OTHER 9 - UNKNOWN	MOTORIST 01 - NONE USED - VEHICLE OCCUPANT 02 - S SHOULDER BELT ONLY USED 03 - LAP BELT ONLY USED 04 - S SHOULDER AND LAP BELT ONLY USED	NON-MOTORIST 05 - CHILD RESTRAINT SYSTEM - FORWARD FACING 06 - CHILD RESTRAINT SYSTEM - REAR FACING 07 - BOOSTER SEAT 08 - HELMET USED 09 - NONE USED 10 - HELMET USED 11 - PROTECTIVE PADS USED (ELBOWS, KNEES, ETC.) 12 - REFLECTIVE COATING 13 - LIGHTING 14 - OTHER

SEATING POSITION	AIR BAG USAGE
01 - FRONT - LEFT SIDE (MOTORCYCLE DRIVER) 02 - FRONT - MIDDLE 03 - FRONT - RIGHT SIDE 04 - SECOND - LEFT SIDE (MOTORCYCLE PASSENGER) 05 - SECOND - MIDDLE 06 - SECOND - RIGHT SIDE 07 - THIRD - LEFT SIDE (MOTORCYCLE SIDE CAR) 08 - THIRD - MIDDLE 09 - THIRD - RIGHT SIDE 10 - SLEEPER SECTION OF CAB (TRUCK) 11 - PASSENGER IN OTHER ENCLOSED CARGO AREA (NON-TRAILING UNIT SUCH AS A BUS, PICKUP WITH CAP) 12 - PASSENGER IN UNENCLOSED CARGO AREA 13 - TRAILING UNIT 14 - RIDING ON VEHICLE EXTERIOR (NON-TRAILING UNIT) 15 - NON-MOTORIST 16 - OTHER 99 - UNKNOWN	1 - NOT DEPLOYED 2 - DEPLOYED FRONT 3 - DEPLOYED SIDE 4 - DEPLOYED BOTH FRONT/SIDE 5 - NOT APPLICABLE 9 - DEPLOYMENT UNKNOWN

EJECTION	TRAPPED	OPERATOR LICENSE CLASS	CONDITION	ALCOHOL/DRUG SUSPECTED
1 - NOT EJECTED 2 - TOTALLY EJECTED 3 - PARTIALLY EJECTED 4 - NOT APPLICABLE	1 - NOT TRAPPED 2 - EXTRICATED BY MECHANICAL MEANS 3 - EXTRICATED BY NON-MECHANICAL MEANS	1 - CLASS A 2 - CLASS B 3 - CLASS C 4 - REGULAR CLASS (OH015 'D') 5 - MC/MOPED ONLY	1 - APPARENTLY NORMAL 2 - PHYSICAL IMPAIRMENT 3 - EMOTIONAL (DEPRESSED, ANGRY, DISTURBED) 4 - ILLNESS	1 - NONE 2 - YES - ALCOHOL SUSPECTED 3 - YES - HBO NOT IMPAIRED 4 - YES - DRUGS SUSPECTED 5 - YES - ALCOHOL AND DRUGS SUSPECTED

ALCOHOL TEST STATUS	ALCOHOL TEST TYPE	DRUG TEST STATUS	DRUG TEST TYPE	DRIVER DISTRACTED BY
1 - NONE GIVEN 2 - TEST REFUSED 3 - TEST GIVEN, CONTAMINATED SAMPLE/UNUSABLE 4 - TEST GIVEN, RESULTS KNOWN 5 - TEST GIVEN, RESULTS UNKNOWN	1 - NONE 2 - BLOOD 3 - URINE 4 - BREATH 5 - OTHER	1 - NONE GIVEN 2 - TEST REFUSED 3 - TEST GIVEN, CONTAMINATED SAMPLE/UNUSABLE 4 - TEST GIVEN, RESULTS KNOWN 5 - TEST GIVEN, RESULTS UNKNOWN	1 - NONE 2 - BLOOD 3 - URINE 4 - OTHER	1 - NO DISTRACTION REPORTED 2 - PHONE 3 - TEXTING/EMAILING 4 - ELECTRONIC COMMUNICATION DEVICE 5 - OTHER ELECTRONIC DEVICE (NAVIGATION DEVICE, RADIO, DVD) 6 - OTHER INSIDE THE VEHICLE 7 - EXTERNAL DISTRACTION

OCCUPANT

UNIT NUMBER	NAME: LAST, FIRST, MIDDLE	DATE OF BIRTH	AGE	GENDER <input type="checkbox"/> F - FEMALE <input type="checkbox"/> M - MALE
ADDRESS, CITY, STATE, ZIP			CONTACT PHONE - INCLUDE AREA CODE	
INJURIES <input type="checkbox"/>	INJURED TAKEN BY <input type="checkbox"/>	EMS AGENCY	MEDICAL FACILITY INJURED TAKEN TO	SAFETY EQUIPMENT USED
OL STATE	OPERATOR LICENSE NUMBER	OL CLASS	No <input type="checkbox"/> VALID DL M/C <input type="checkbox"/> END	CONDITION
OFFENSE CHARGED (<input type="checkbox"/> LOCAL CODE)		OFFENSE DESCRIPTION		CITATION NUMBER
HANDS-FREE <input type="checkbox"/> DEVICE USED		DRIVER DISTRACTED BY		

OCCUPANT

UNIT NUMBER	NAME: LAST, FIRST, MIDDLE	DATE OF BIRTH	AGE	GENDER <input type="checkbox"/> F - FEMALE <input type="checkbox"/> M - MALE
ADDRESS, CITY, STATE, ZIP			CONTACT PHONE - INCLUDE AREA CODE	
INJURIES <input type="checkbox"/>	INJURED TAKEN BY <input type="checkbox"/>	EMS AGENCY	MEDICAL FACILITY INJURED TAKEN TO	SAFETY EQUIPMENT USED
OL STATE	OPERATOR LICENSE NUMBER	OL CLASS	No <input type="checkbox"/> VALID DL M/C <input type="checkbox"/> END	CONDITION
OFFENSE CHARGED (<input type="checkbox"/> LOCAL CODE)		OFFENSE DESCRIPTION		CITATION NUMBER
HANDS-FREE <input type="checkbox"/> DEVICE USED		DRIVER DISTRACTED BY		